



TAMA[®]

TAMA[®]

TAMA
PRODUCT NEWS 2017

STARCLASSIC

NEW EXOTIC FINISHES & SHELL HARDWARE FINISH

Since its debut, the Starclassic series has offered numerous shell finishes including exotic woods, over 30 different shell sizes, and different hardware finishes to meet drummer's unique needs and wants. For 2017, we are expanding the Exotic Finish choices to include Tigerwood on the Bubinga series, and Pacific Walnut on the Maple series. We are also adding a Smoked Black Nickel hardware finish option, augmenting the current Chrome and Black Nickel hardware choices.

NEW EXOTIC FINISHES

The timeless beauty of Exotic finishes appeals to both drummers and audiences alike. The Starclassic series offers Exotic finishes on both the Bubinga and Maple series as part of regular production. New for 2017, Tigerwood outer ply finishes are available for the Bubinga series, and Pacific Walnut outer ply finishes are offered for the Maple series.



Crimson Tigerwood Fade (TCGF)



Midnight Tigerwood Fade (TMGF)



Emerald Pacific Walnut Burst (LEWB)



Natural Pacific Walnut Burst (LNWB)

STARCLASSIC

NEW EXOTIC FINISHES & SHELL HARDWARE FINISH

Since its debut, the Starclassic series has offered numerous shell finishes including exotic woods, over 30 different shell sizes, and different hardware finishes to meet drummer's unique needs and wants. For 2017, we are expanding the Exotic Finish choices to include Tigerwood on the Bubinga series, and Pacific Walnut on the Maple series. We are also adding a Smoked Black Nickel hardware finish option, augmenting the current Chrome and Black Nickel hardware choices.

NEW SMOKED BLACK NICKEL HARDWARE & COMPLEMENT FINISHES

For 2017, we are unveiling the new Smoked Black Nickel hardware finish option – for drummers seeking something different from standard chrome or black nickel hardware. In addition, Flat Black, Flat Burgundy Metallic & Satin Aztec Gold Metallic shell finishes are now available to perfectly complement the new Smoked Black Nickel hardware.

*Other exotic and regular finishes are also available with Smoked Black Nickel shell hardware.



Smoked Black Nickel Hardware



Satin Aztec Gold Metallic (SAM)



Flat Burgundy Metallic (FBM)



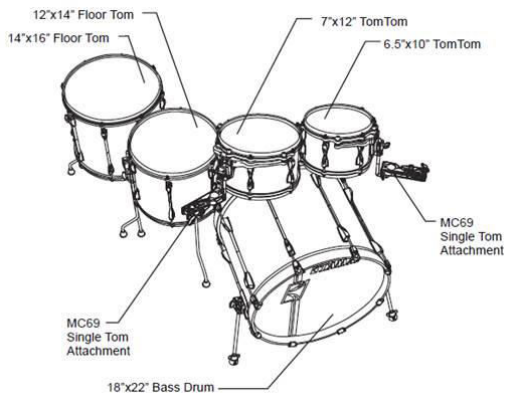
Flat Black (FBK)

SUPERSTAR HYPER-DRIVE

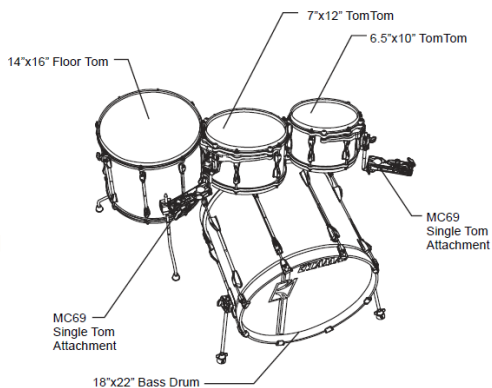
NEW CONFIGURATIONS WITHOUT SNARE DRUM

CONFIGURATIONS

ML52HLZBNS
MK52HLZBNS



ML42HLZBNS
MK42HLZBNS



- HB5W hardware kit is available for complete kit offer.
- 5pc & 6pc configurations with snare drum will be discontinued.

PRODUCT INFO.

| Model # | Description | Price |
|------------|---------------|---------------------------|
| ML52HLZBNS | 5pc Shell Kit | 1.449,00 € / 40.430,00 Kc |
| MK52HLZBNS | 5pc Shell Kit | 1.249,00 € / 34.850,00 Kc |
| ML42HLZBNS | 4pc Shell Kit | 1.349,00 € / 37.640,00 Kc |
| MK42HLZBNS | 4pc Shell Kit | 1.149,00 € / 32.060,00 Kc |

NEW FINISHES

STARCLASSIC PERFORMER B/B



Gun Metal Classic Stripe (GMS)
-PP-



Lacquer Ocean Blue Ripple (LOR)
-PS-



Ice Blue Pearl (IBP)
-PR-

SUPERSTAR HYPER-DRIVE



Satin Arctic Pearl (SAP)
-ML-

SILVERSTAR



Vintage Gold Duco (VGD)
-VP-



Matte Copper Sparkle (MCS)
-VD-

PETER ERSKINE SIG. SNARE DRUM

6" X 10" STAVE ASH SHELL

Jazz legend Peter Erskine's new 6"x10" signature snare drum was developed with one of his favorite STAR snare drums in mind - the Stave Ash model. Our stave shells are constructed using 12 portions of wood that are cut to precision, then bonded together, tightly forming the 10mm thick shell. Peter prefers the tone of Ash wood for his side snare that provides quick, cutting attack and response. The snare drum is equipped with the Super Resonant Mounting System to maximize the natural resonance of the drum, and for easy positioning around the kit.



PE106M

PRODUCT INFO.

| | |
|----------------------|--|
| Model # | PE106M |
| Size | 6" x 10" |
| Shell | 10mm, 12pcs Stave Ash |
| Bearing Edge | STAR Bearing Edge |
| Lug | STAR MSL90S Lug |
| Hoop | Die-Cast Hoop (6 Hole) |
| Head | REMO Coated Ambassador / Snare Side |
| Strainer/Butt | "Linear-Drive" Strainer & Butt (MLS50A / MLS50B) |
| Snare Wire | MS20SN10S & SPC50 |
| Finish | Oiled Natural Ash |
| Note | Super Resonant Mounting System Equipped |
| EAN Code | 4515276965060 |
| Price | 999,00 € / 27.870,00 Kc |

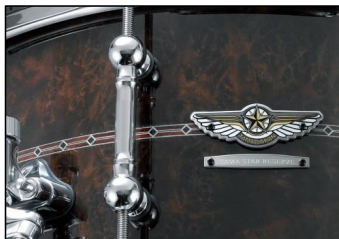
STAR RESERVE SNARE DRUM VOL.3

6.5" X 14" BUBINGA / WALNUT WITH MAPLE S.F.R.

The 3rd model of the STAR Reserve snare drum series is developed to attain an extremely sharp cut and projection. The hybrid shell of Bubinga and Walnut with Maple Sound Focus Rings creates a solid, tight, and resonant tone. The beautiful Claro Walnut exterior ply lacquered in black see-through gloss adds to the elegance of the snare drum. It also features Sound Arc Hoop and our newly developed STAR Tube Lugs w/lug nuts for accurate tuning.



TBWS1465S-GCW



Claro Walnut Outer Ply


 Bubinga/Walnut Hybrid Shell
w/ Maple Sound Focus Ring


STAR Tube Lug w/ Lug Nut

PRODUCT INFO.

| | |
|----------------------|--|
| Model # | TBWS1465S |
| Size | 6.5" x 14" |
| Shell | 5.5mm, 6ply Bubinga/Walnut + 1 outer ply Claro Walnut w/Maple Sound Focus Ring |
| Bearing Edge | STAR Bearing Edge |
| Lug | STAR Tube Lug |
| Hoop | Sound Arc Hoop (10 Hole) |
| Head | REMO Coated Ambassador / Snare Side |
| Strainer/Butt | "Linear-Drive" Strainer & Butt (MLS50A / MLS50B) |
| Snare Wire | MS20RL14C |
| Finish | Gloss Claro Walnut (GCW) |
| EAN Code | 4515276965077 |
| Price | 899,00 € / 25.080,00 Kc |

S.L.P. SOUND LAB PROJECT

FAT SPRUCE

This drum features an all Spruce 8 ply shell with a beautiful wood grain finish, and boasts a warm and resonant tone. The combination of the Spruce shell and TAMA's 8-lug die-cast hoops makes for a powerful yet warm rim shot sound.



LSP146-WSS

PRODUCT INFO.

| | |
|----------------------|--|
| Model # | LSP146 |
| Size | 6" x 14" |
| Shell | 8ply Spruce, 7mm |
| Lug | MTL60 Lug |
| Hoop | Die-Cast Hoop (8 Hole) |
| Head | EVANS G1 Coated / Snare Side |
| Strainer/Butt | "Linear-Drive" Strainer & Butt (MLS50A / MLS50B) |
| Snare Wire | MS20RL14C |
| Finish | Wild Satin Spruce (WSS) |
| EAN Code | 4515276961116 |
| Price | 329,00 € / 9.180,00 Kc |

S.L.P. SOUND LAB PROJECT

CLASSIC DRY ALUMINUM

This drum features a seamless 1.2 mm Aluminum shell with a center bead. The 8-lug Steel Mighty Hoops make for a crisp sound with short sustain. The vintage look and sound are reminiscent of the early years of popular aluminum snare drums.



LAL1455

PRODUCT INFO.

| | |
|----------------------|----------------------------------|
| Model # | LAL1455 |
| Size | 5.5" x 14" |
| Shell | 1.2mm Aluminum |
| Lug | Superstar Lug |
| Hoop | 2.3mm Steel Mighty Hoop (8 Hole) |
| Head | EVANS G1 Coated / Snare Side |
| Strainer/Butt | MCS70A / MCS70B |
| Snare Wire | MS20RL14C |
| Finish | - |
| EAN Code | 4515276961109 |
| Price | 299,00 € / 8.340,00 Kc |

STANDARD DRUM BAG SET

RENEWAL WITH NEW DESIGN

The TAMA Standard Drum Bag Set features bags with 10mm of inner cushion and 600 denier waterproof surfaces, which securely protect your drums during transport. The bags are also equipped with a comfortable carrying strap for easy transport. There are various pre-configured sets available, to cater to different setups. While the bags do feature our iconic red zipper and simple "T" logo, they work great for any other drum brands' products as well.



DSS52K



Individual Snare Drum Bag
SBS14 is also available

FEATURES

- Water resistant nylon with 10mm thick cushion
- Ergonomic rubber handles
- Carrying strap with shoulder pads (except Bass drum bag)
- Size labels/Name tags indicate each shell size
- Tom bags accommodate drums with Star-cast mounts

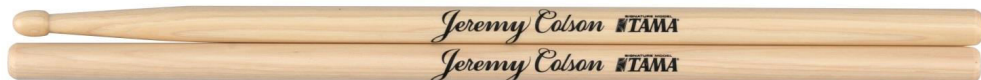
PRODUCT INFO.

| Model # | Description | EAN Code | Price |
|---------|---|---------------|------------------------|
| DSS52S | Drum Bag Set - 18x22BD, 9x12TT, 10x13TT, 16x16FT, 6.5x14SD | 4515276925408 | 159,00 € / 4.440,00 Kc |
| DSS52K | Drum Bag Set - 18x22BD, 8x10TT, 9x12TT, 16x16FT, 6.5x14SD | 4515276925392 | 159,00 € / 4.440,00 Kc |
| DSS52H | Drum Bag Set - 18x22BD, 6.5x10&7x12TT(1bag), 16x16FT, 6.5x14SD | 4515276925385 | 159,00 € / 4.440,00 Kc |
| DSS50S | Drum Bag Set - 18x20BD, 8x10TT, 9x12TT, 14x14FT, 6.5x14SD | 4515276925378 | 159,00 € / 4.440,00 Kc |
| DSS62S | Drum Bag Set - 18x22BD, 8x10TT, 9x12TT, 14x14FT, 16x16FT, 6.5x14SD | 4515276925422 | 179,00 € / 4.990,00 Kc |
| DSS62H | Drum Bag Set - 18x22BD, 6.5x10&7x12TT(1bag), 14x14FT, 16x16FT, 6.5x14SD | 4515276925415 | 179,00 € / 4.990,00 Kc |
| SBS14 | Snare Drum Bag | 4515276967804 | 25,00 € / 700,00 Kc |

TAMA SIGNATURE STICKS

JEREMY COLSON SIGNATURE STICK

Jeremy Colson's signature sticks are made from Hickory, and are 16.5mm (.650inch) thick and 422mm (16.6inch) long. The shape of stick is different for the right and left hands. The right hand side has an acorn tip that creates big, fat drum and cymbal tones, while the left stick is the "Knocker" type, which features a non-tapered, double butt-end shape for massive backbeats.



H-JCS

PRODUCT INFO.

| Model # | Description | EAN Code | Price |
|---------|-------------|---------------|---------------------|
| H-JCS | Drum Stick | 4515276925231 | 10,90 € / 300,00 Kc |

DIRK VERBEUREN (MEGADETH) SIGNATURE STICK

Dirk Verbeuren's signature sticks are made from Oak, and are 16mm (.630inch) thick and 406mm (16inch) long. The sticks are especially suited for metal music due to their powerful sound and durability. The raw, unpainted finish gives a natural and comfortable grip to the sticks, preventing the sticks from slipping away during even the most intense drumming.



O-DVM

PRODUCT INFO.

| Model # | Description | EAN Code | Price |
|---------|-------------|---------------|--------------------|
| O-DVM | Drum Stick | 4515276967859 | 9,90 € / 280,00 Kc |

POWERPAD STICK BAG

POWERPAD DESIGNER COLLECTION

The POWERPAD Designer Collection Stick Bags are designed to give drummers color options for their stick bag, much like we choose clothes and shoes. There are 4 eye-catching color choices available. The bag can store 6 pairs of sticks and mallets, and comes with inner pockets for various drum accessories.



TSB12BE



TSB12WR



TSB12BK



TSB12NB



Elastic band to be hooked on floor tom & various inner pockets



Top of the bag zips opens



"POWER PAD Designer Collection" Label

PRODUCT INFO.

| Model # | Description | EAN Code | Price |
|---------|----------------------|---------------|---------------------|
| TSB12BK | Stick Bag (Black) | 4515276966968 | 14,90 € / 420,00 Kc |
| TSB12BE | Stick Bag (Beige) | 4515276966982 | 14,90 € / 420,00 Kc |
| TSB12NB | Stick Bag (Navy) | 4515276966975 | 14,90 € / 420,00 Kc |
| TSB12WR | Stick Bag (Wine Red) | 4515276966999 | 14,90 € / 420,00 Kc |

STAGE MASTER RENEWAL

BOOM CYMBAL STANDS WITH UPGRADED FEATURES

The new Stage Master hardware offers a lot of the great functionality, stability and quality found in the TAMA STAR and Roadpro hardware series. Its wide range of adjustability and features make it a solid choice for beginners, intermediate and professional players as well.

Boom Cymbal Stand -double braced legs- (HC43BW)

The new Stage Master boom cymbal stand with double braced legs now features the Quick-Set cymbal mate for faster setup and breakdown. The boom stand can easily be converted to a straight cymbal stand simply by inserting the boom arm into the upper tube.

Boom Cymbal Stand -single braced legs- (HC43BS)

The new Stage Master boom cymbal stand with single braced legs is lightweight and easy to transport. It now features the Quick-Set cymbal mate for faster setup and breakdown. The boom stand can easily be converted to a straight cymbal stand simply by inserting the boom arm into the upper tube.

FEATURES

Quick-Set Cymbal Mate

By simply gripping and pressing the two buttons on the both sides, users can attach and remove the Cymbal Mate with just one touch, making cymbals setup/breakdown a snap. Like our standard Cymbal Mate: fine adjustments to the cymbal's swinging motion can be made by rotating the unit.



Newly Designed Die-Cast Joint

The new Die-Cast Joint design provides a more solid attachment by holding the tube with a Nylon Bushing that is secured by the T-bolt. This reduces any play within the stand, which in turn maximizes the instrument's natural resonance.



Newly Designed Tripod Legs

The New Stage Master double braced leg stands now feature a streamlined design inspired by the STAR and Roadpro series, easing drummer's setup woes by minimizing contact between stands in tight spaces.



SPECIFICATIONS

- 25.4mm Diameter Tubing
- Fine Gear Tilter
- Boom/Straight Convertible Tilter
- Boom Arm Length: 400mm (15 3/4")
- Double Braced Legs (HC43BW) / Single Braced Legs (HC43BS)

PRODUCT INFO.

| Model # | Description | EAN Code | Price |
|---------|--|---------------|-----------------------|
| HC43BW | Boom Cymbal Stand (Double Braced Legs) | 4515276971184 | 59,00 € / 1.650,00 Kc |
| HC43BS | Boom Cymbal Stand (Single Braced Legs) | 4515276971221 | 59,00 € / 1.650,00 Kc |

STAGE MASTER RENEWAL

STRAIGHT CYMBAL STANDS WITH UPGRADED FEATURES

The new Stage Master hardware offers a lot of the great functionality, stability and quality found in the TAMA STAR and Roadpro hardware series. Its wide range of adjustability and features make it a solid choice for beginners, intermediate and professional players as well..

Straight Cymbal Stand –double braced legs- (HC42W)

The new Stage Master Straight cymbal stand with double braced legs now features the Quick-Set cymbal mate for faster setup and breakdown.

Straight Cymbal Stand –single braced legs- (HC42S)

The new Stage Master Straight cymbal stand with single braced legs is lightweight and easy to transport. It now features the Quick-Set cymbal mate for faster setup and breakdown2

FEATURES



HC42W

HC42S



Quick-Set Cymbal Mate

By simply gripping and pressing the two buttons on the both sides, users can attach and remove the Cymbal Mate with just one touch, making cymbals setup/breakdown a snap. Like our standard Cymbal Mate: fine adjustments to the cymbal's swinging motion can be made by rotating the unit.



Newly Designed Die-Cast Joint

The new Die-Cast Joint design provides a more solid attachment by holding the tube with a Nylon Bushing that is secured by the T-bolt. This reduces any play within the stand, which in turn maximizes the instrument's natural resonance.



Newly Designed Tripod Legs

The New Stage Master double braced leg stands now feature a streamlined design inspired by the STAR and Roadpro series, easing drummer's setup woes by minimizing contact between stands in tight spaces.

SPECIFICATIONS

- 25.4mm Diameter Tubing
- Fine Gear Tilter
- Double Braced Legs (HC42W) / Single Braced Legs (HC42S)

PRODUCT INFO.

| Model # | Description | EAN Code | Price |
|---------|--|---------------|-----------------------|
| HC42W | Straight Cymbal Stand (Double Braced Legs) | 4515276971177 | 49,00 € / 1.370,00 Kc |
| HC42S | Straight Cymbal Stand (Single Braced Legs) | 4515276971214 | 49,00 € / 1.370,00 Kc |

STAGE MASTER RENEWAL

HI-HAT STANDS WITH UPGRADED FEATURES

The new Stage Master hardware offers a lot of the great functionality, stability and quality found in the TAMA STAR and Roadpro hardware series. Its wide range of adjustability and features make it a solid choice for beginners, intermediate and professional players as well.

Hi-Hat Stand -double braced legs- (HH45W)

The new Stage Master hi-hat stand with double braced legs features direct pull action. The Swivel Foot feature allows the foot pedal to rotate around the tripod base, greatly enhancing set-up flexibility.

Hi-Hat Stand -single braced legs- (HH45S)

The new Stage Master hi-hat stand with single braced legs is light weight and easy to transport. It features direct pull action. The Swivel Foot feature allows the foot pedal to rotate around the tripod base, greatly enhancing the stand's footprint and set-up flexibility.



HH45W

HH45S

FEATURES



Newly Designed Die-Cast Joint

The new Die-Cast Joint design provides a more solid attachment by holding the tube with a Nylon Bushing that is secured by the T-bolt. This reduces any play within the stand, which in turn maximizes the instrument's natural resonance.



Newly Designed Tripod Legs

The New Stage Master double braced leg stands now feature a streamlined design inspired by the STAR and Roadpro series, easing drummer's setup woes by minimizing contact between stands in tight spaces.

SPECIFICATIONS

- Direct Pull Action
- Swivel Foot
- Non-Loosening Tension Rod
- Toe Guard
- Security Clutch
- Double Braced Legs (HH45W) / Single Braced Legs (HH45S)

PRODUCT INFO.

| Model # | Description | EAN Code | Price |
|---------|-----------------------------------|---------------|-----------------------|
| HH45W | Hi-Hat Stand (Double Braced Legs) | 4515276971191 | 79,00 € / 2.200,00 Kc |
| HH45S | Hi-Hat Stand (Single Braced Legs) | 4515276971238 | 79,00 € / 2.200,00 Kc |

STAGE MASTER RENEWAL

SNARE DRUM STANDS WITH UPGRADED FEATURES

The new Stage Master hardware offers a lot of the great functionality, stability and quality found in the TAMA STAR and Roadpro hardware series. Its wide range of adjustability and features make it a solid choice for beginners, intermediate and professional players as well.

Snare Drum Stand -double braced legs- (HS40W)

The new Stage Master snare drum stand with double braced legs features a universal gearless tilter. This tilter securely holds the snare basket in position using metal-plate friction instead of traditional gears, and allows you to adjust the basket to any angle you desire. The Swivel basket feature enables the snare basket to rotate independently from the stand base and basket angle, allowing you to place the strainer in any position needed.

Snare Drum Stand -single braced legs- (HS40S)

The new Stage Master snare drum stand with single braced legs is light weight and easy to transport. It also features the universal gearless tilter, which securely holds the snare basket in position using metal-plate friction instead of traditional gears, and allows you to adjust the basket to any angle you desire. The Swivel basket feature enables the snare basket to rotate independently from the stand base and basket angle, allowing you to place the strainer in any position needed.

FEATURES

Newly Designed Die-Cast Joint

The new Die-Cast Joint design provides a more solid attachment by holding the tube with a Nylon Bushing that is secured by the T-bolt. This reduces any play within the stand, which in turn maximizes the instrument's natural resonance.

Newly Designed Tripod Legs

The New Stage Master double braced leg stands now feature a streamlined design inspired by the STAR and Roadpro series, easing drummer's setup woes by minimizing contact between stands in tight spaces.



HS40W

HS40S



SPECIFICATIONS

- For 12" to 15" Diameter Snare Drums
- 25.4mm Diameter Base Section Tubing
- Universal Gearless Tilter
- Swiveling Basket
- Adjustable Height Range: 470mm-630mm (18 1/2" – 24 13/16")
- Double Braced Legs (HS40W) / Single Braced Legs (HS40S)

PRODUCT INFO.

| Model # | Description | EAN Code | Price |
|---------|---------------------------------------|---------------|-----------------------|
| HS40W | Snare Drum Stand (Double Braced Legs) | 4515276971207 | 54,00 € / 1.510,00 Kc |
| HS40S | Snare Drum Stand (Single Braced Legs) | 4515276971245 | 54,00 € / 1.510,00 Kc |

STAGE MASTER RENEWAL

AFFORDABLE LOW-PROFILE SNARE DRUM STAND

The HS40LOW snare stand is suitable for drummers who prefer to set their snare drum at a lower position or use a deeper snare such as an 8" depth model. This stand is specially designed with "Low-Position Basket" construction, which allows for comfortable use at a lower setting or with a deeper drum. The lower setting is also useful for children and convenient for setting a tom-tom at a lower position beside the bass drum.

The HS40LOW's Universal Gearless Tilter allows for secure adjustment of the snare to any desired angle. A 25.4mm diameter lower pipe together with a double-braced tripod base provides both high stability and a lightweight stand that is easy to carry.



HS40LOW

FEATURES

Newly Designed Die-Cast Joint



The new Die-Cast Joint design provides a more solid attachment by holding the tube with a Nylon Bushing that is secured by the T-bolt. This reduces any play within the stand, which in turn maximizes the instrument's natural resonance.

Newly Designed Tripod Legs



The New Stage Master double braced leg stands now feature a streamlined design inspired by the STAR and Roadpro series, easing drummer's setup woes by minimizing contact between stands in tight spaces.

Low Position Setting Basket



The HS40LOW snare stand features a new snare basket which allows the snare drum to be positioned lower than the HS40W stand.

SPECIFICATIONS

- For 12" to 15" Diameter Snare Drums
- 25.4mm Diameter Base Section Tubing
- Universal Gearless Tilter
- Double Braced Legs
- Adjustable Height Range: 370mm-530mm (14 9/16" – 20 7/8")

PRODUCT INFO.

| Model # | Description | EAN Code | Price |
|---------|------------------|---------------|-----------------------|
| HS40LOW | Snare Drum Stand | 4515276978879 | 54,00 € / 1.510,00 Kc |

STAGE MASTER RENEWAL

DOUBLE TOM STAND WITH UPGRADED FEATURES

The new Stage Master double tom stand with double braced legs features TAMA's Omni-ball system, which has been acclaimed by professional drummers for well over twenty years. You can achieve almost any angle simply by loosening one T-nut.



HTW49W

FEATURES



Newly Designed Die-Cast Joint

The new Die-Cast Joint design provides a more solid attachment by holding the tube with a Nylon Bushing that is secured by the T-bolt. This reduces any play within the stand, which in turn maximizes the instrument's natural resonance.



Newly Designed Tripod Legs

The New Stage Master double braced leg stands now feature a streamlined design inspired by the STAR and Roadpro series, easing drummer's setup woes by minimizing contact between stands in tight spaces.



Omni-Ball Tom Angle Adjustment

With its rock solid stability, TAMA's Omni-ball system has been acclaimed by pro drummers for well over twenty years. You can achieve almost any angle by loosening one T-nut.

SPECIFICATIONS

- 25.4mm Diameter Base Section Tubing
- Double Braced Legs

PRODUCT INFO.

| Model # | Description | EAN Code | Price |
|---------|---------------------------------------|---------------|-----------------------|
| HTW49W | Double Tom Stand (Double Braced Legs) | 4515276978855 | 84,00 € / 2.340,00 Kc |

STAGE MASTER **RENEWAL**

TRAINING PAD STAND WITH UPGRADED FEATURES

The HS40TP training pad stand can hold pads between 6 and 10 inch diameters. The rubber grips of the basket can also be reversed for holding smaller pads more securely. An extension pipe is included for when practicing standing up is desired.

FEATURES



Newly Designed Die-Cast Joint

The new Die-Cast Joint design provides a more solid attachment by holding the tube with a Nylon Bushing that is secured by the T-bolt. This reduces any play within the stand, which in turn maximizes the instrument's natural resonance.

SPECIFICATIONS

- Height Adjustment Range (measured from the top surface of a 6 inch training pad to the floor)
 - w/o extension pipe: 582mm – 732mm (23" – 28 3/4")
 - w/ extension pipe: 848 – 990mm (33 3/8" – 39")
- Single Braced Legs



HS40TP



TSP10 + HS40TP

PRODUCT INFO.

| Model # | Description | EAN Code | Price |
|---------|--------------------|---------------|-----------------------|
| HS40TP | Training Pad Stand | 4515276978862 | 49,00 € / 1.370,00 Kc |

STAGE MASTER RENEWAL

HARDWARE PACK WITH UPGRADED STANDS

The new MM5WN hardware package is a great value for upgrading your hardware all at once. It includes an Iron Cobra 200 bass drum pedal, a Stage Master double braced hi-hat stand, snare stand and two boom cymbal stands. The boom cymbal stands feature the Quick-Set cymbal mate for faster setup and breakdown.



MM5WN

SPECIFICATIONS

- HC43BW Stage Master Boom Cymbal Stands (x2)
- HH45W Stage Master Hi-Hat Stand
- HS40W Stage Master Snare Drum Stand
- HP200P Iron Cobra Single Pedal

PRODUCT INFO.

| Model # | Description | EAN Code | Price |
|---------|--------------|---------------|------------------------|
| MM5WN | Hardware Kit | 4515276971726 | 249,00 € / 6.950,00 Kc |

NEW IRON COBRA 900 HI-HAT STANDS

UPGRADED WITH NEW FEATURES

The perfect counterpart to Iron Cobra 900 Series bass drum pedals, the Iron Cobra 900 Series hi-hat stands offer incredibly sensitive, lightning-fast action, maximum adjustability and completely noise-free operation. The latest innovation on these stands, the new "Quick-Set Clutch", allows hi-hat cymbals to be quickly attached and removed. The Hinge Guard Block on the footboard holds the bearing more evenly, minimizing stress and maximizing smoothness.

FEATURES

Quick-Set Clutch

With just one touch, the Quick-Set Clutch can be attached or removed - simply push the button on the side of the clutch. The clutch also allows the top hi-hat cymbal to float more freely, maximizing the natural resonance of the cymbals.



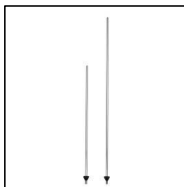
Matching Footboard w/Hinge Guard Block

The construction of the Bearing Hinge on the footplate has changed from a one-piece assembly to two pieces. This design holds the bearing more evenly - minimizing stress and maximizing smoothness, while also adding to the pedal's sense of power.



Shorter Cymbal Rod Included

The new Iron Cobra hi-hat stands now come with both long and short cymbal rods, allowing drummers a choice based on their unique setup needs.



HH905D

HH805D

SPECIFICATIONS

- Spring Seat
- 6-way Tension Adjustment
- Oiles® Bearing Hinge
- Spare-The-Rods Tension Rod Protector
- Non-Loosening Tension Rod
- Glide-Tite Grip Joint
- Bigger Rubber Feet w/Duo-Spike

PRODUCT INFO.

| Model # | Description | EAN Code | Price |
|---------|----------------------------|---------------|------------------------|
| HH905D | Hi-Hat Stand (Lever Glide) | 4515276925552 | 289,00 € / 8.060,00 Kc |
| HH805D | Hi-Hat Stand (Velo Glide) | 4515276925545 | 259,00 € / 7.230,00 Kc |

NEW SPEED COBRA 910 HI-HAT STAND

UPGRADED WITH NEW FEATURES

The HH915D features the same long footboard as our Speed Cobra Bass Drum Pedal. Its core design is based on the Iron Cobra Hi-Hat Stand, widely recognized as one of the best performing hi-hat stands in the world. The longer footboard offers footwork flexibility, added control and sensitivity. The latest innovation on this stand, the new "Quick-Set Clutch", allows hi-hat cymbals to be quickly attached and removed. The Hinge Guard Block on the footboard holds the bearing more evenly, minimizing stress and maximizing smoothness.



HH915D

FEATURES



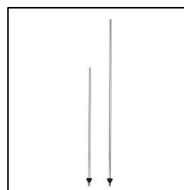
Quick-Set Clutch

With just one touch, the Quick-Set Clutch can be attached or removed - simply push the button on the side of the clutch. The clutch also allows the top hi-hat cymbal to float more freely, maximizing the natural resonance of the cymbals.



Matching Footboard w/Hinge Guard Block

The construction of the Bearing Hinge on the footplate has changed from a one-piece assembly to two pieces. This design holds the bearing more evenly - minimizing stress and maximizing smoothness, while also adding to the pedal's sense of power.



Shorter Cymbal Rod Included

The new Iron Cobra hi-hat stands now come with both long and short cymbal rods, allowing drummers a choice based on their unique setup needs.

SPECIFICATIONS

- Spring Seat
- 6-way Tension Adjustment
- Oiles® Bearing Hinge
- Spare-The-Rods Tension Rod Protector
- Non-Loosening Tension Rod
- Glide-Tite Grip Joint
- Bigger Rubber Feet w/Duo-Spike

PRODUCT INFO.

| Model # | Description | EAN Code | Price |
|---------|--------------|---------------|------------------------|
| HH915D | Hi-Hat Stand | 4515276925569 | 299,00 € / 8.340,00 Kc |

NEW SPEED COBRA 310 HI-HAT STAND

AFFORDABLE DUAL LEG HI-HAT STAND

The Speed Cobra 315 hi-hat stand offers functionality and stability reminiscent of the highly regarded Speed Cobra 915 hi-hat stand. It features dual-leg construction, uncommon at this price range, and delivers setup flexibility in tight spaces, quick setup / tear-down, and portability.



HH315D

FEATURES



Dual Leg

Our two-leg design is not only easier to set up in limited spaces, it's actually more secure than the standard three-leg design. The secret is in the small stabilizer under the footboard which effectively shifts the balance and strength of the stand toward the player. Since there's no steel plate under the footboard, Iron Cobra hi-hats are foldable for quick set-up, fast tear down, and easy portability.



6-Way Tension Adjustment

Six different levels of tension can be achieved quickly by using the six easily visible settings.

SPECIFICATIONS

- Swivel Foot
- Direct Pull Action
- Non-Loosening Tension Rod
- Spare-The-Rods Tension Rod Protector

PRODUCT INFO.

| Model # | Description | EAN Code | Price |
|---------|--------------|---------------|------------------------|
| HH315D | Hi-Hat Stand | 4515276925576 | 119,00 € / 3.320,00 Kc |

IRON COBRA 900 HARDWARE PACK

UPGRADED WITH NEW IRON COBRA HI-HAT STAND

Iron Cobra 900 hardware kit is the package of TAMA high-end hardware featuring highly acclaimed Iron Cobra 900 pedal, hi-hat stand and Roadpro stands. Iron Cobra 900 pedal and hi-hat stand offer smooth footwork and universal adjustability. Also, Roadpro stands feature great set-up flexibility and stability, by such as Quick-Set Cymbal Mate, Quick-Set Tilter and Omni-Ball adjustment.



HG5WN

SPECIFICATIONS

- HC83BW Roadpro Boom Cymbal Stands (x 2)
- HS800W Roadpro Snare Drum Stand
- **HH905D** Iron Cobra Hi-Hat Stand
- HP900PN Iron Cobra Power Glide Single Pedal

PRODUCT INFO.

| Model # | Description | EAN Code | Price |
|---------|--------------|---------------|-------------------------|
| HG5WN | Hardware Kit | 4515276971719 | 629,00 € / 17.550,00 Kc |

CLOSED HI-HAT ATTACHMENT

UPGRADED

FEATURING QUICK-SET HI-HAT CLUTCH

This closed hi-hat attachment is ideal for double bass playing. The tension adjustment knob makes it possible to finely adjust the degree of opening of the hi-hat cymbals. In addition, the angle of the bottom cymbal is also adjustable, which allows for subtle adjustment of the sound of a closed or half-open hi-hat by changing how air escapes with each hit.

The newly featured Quick-Set Clutch makes it possible to attach or remove the cymbal simply by pushing the button on the side of the clutch.


MXA73N

FEATURES



Quick-Set Clutch

With just one touch, the Quick-Set Clutch can be attached or removed - simply push the button on the side of the clutch. The clutch also allows the top hi-hat cymbal to float more freely, maximizing the natural resonance of the cymbals.

SPECIFICATIONS

- FastClamp
- Quick-Set Tilter
- Boom Arm Length: 300mm (11 3/4")

PRODUCT INFO.

| Model # | Description | EAN Code | Price |
|---------|--------------------------|---------------|-----------------------|
| MXA73N | Closed Hi-Hat Attachment | 4515276983620 | 99,00 € / 2.760,00 Kc |

NEW HI-HAT STAND ACCESSORIES

QUICK-SET HI-HAT CLUTCH. THE ABSOLUTE CLUTCH.

For many drummers, traditional hi-hat clutches have been a source of frustration when trying to change hi-hats quickly. The new Quick-Set Hi-Hat Clutch (QHC7) is the complete solution to this ever present problem. It offers a one-touch lock & release simply sliding a switch on the bottom nut. At the same time, this switch prevents the top hi-hat cymbal from loosening while playing. Due to its unique shape, the upper nut is designed to make the top hi-hat cymbal float more freely - maximizing its natural resonance.

*The Quick-Set Hi-Hat Clutch can be used with other manufactures' hi-hat rods measuring no more than 7mm in diameter.



QHC7

FEATURES

- One-touch lock & release switch allows drummers to change hi-hat cymbals quickly.
- One-touch lock & release switch prevents the top hi-hat cymbal from loosening while playing.
- Unique upper nut shape maximizes the cymbal's natural resonance.

SHORT HI-HAT CYMBAL ROD

The length of the hi-hat stand rod is an important topic that comes up in many of the discussions amongst drummers because it defines two integral factors for drum setup: the height of the hi-hat cymbals, and the left side set up capability. Now, TAMA offers two hi-hat rod lengths, a 500mm (19 5/8") model and a 350mm (13 3/4") model. When using the new shorter rod, the left side of the drum kit is freed up to make space for extra toms or cymbals.

*These tension rods can be utilized to all TAMA hi-hat stands.

**Speed Cobra hi-hat stand HH915D, Iron Cobra hi-hat stand HH905D & HH805D come standard with both rods.



HH905D3S (Short, 350mm)



HH905-3 (Long, 500mm)

PRODUCT INFO.

| Model # | Description | EAN Code | Price |
|----------|---|---------------|---------------------|
| QHC7 | Hi-Hat Clutch | 4515276983958 | 26,90 € / 750,00 Kc |
| HH905D3S | Upper Pull Rod w/M6 Plastic Nut (350mm) | 4515276983965 | 5,50 € / 150,00 Kc |

IRON WORKS MICROPHONE STANDS

STUDIO SERIES

MS736BK / TELESCOPING BOOM STAND

The Iron Works Studio Series MS736BK with telescoping boom arm and tripod legs is a complete re-invention of the typical boom stand concept with a host of engineering innovations that sets a new professional standard. Strong and versatile enough to handle sensitive studio gear— this stand is equally qualified for rugged roadwork.

FEATURES

- Vice-Grip Boom Tilter
- Iron-Core Legs with heavy vibration-isolating rubber feet
- Die-Cast Locking Thumb Nut
- Iron-Core Boom Arm with removable heavy counter weight
- Sure-Cast Adjustment Collar
- Latch-Lok Sleeve Insert
- Silent T-Handle
- Detachable Boom Arm (The stand can also be used as a straight stand)
- 3/8" Threaded Connector (5/8-Inch Male to 3/8-Inch Female adapter is also included)

CHARACTER

The flagship of TAMA's new mic stand lineup—ultra flexible, easily able to handle any situation where sturdy, professional mic-ing is a must: studio, stage, or anywhere in between.

SIZE

- Height 975mm – 1650mm (38 3/8" – 64 15/16")
- Boom 505mm – 850mm (19 7/8" – 33 7/16")



3/8" Threaded Connector

MS736BK
TELESCOPING BOOM STAND

PRODUCT INFO.

| Model # | Description | EAN Code | Price |
|---------|-----------------|---------------|-----------------------|
| MS736BK | BOOM MIC. STAND | 4515276889205 | 99,00 € / 2.760,00 Kc |

IRON WORKS MICROPHONE STANDS

STUDIO SERIES

MS736LBK / LOW PROFILE TELESCOPING BOOM STAND

The MS736LBK low profile telescoping boom stand is as much a flagship of the Iron Works Studio Series as its MS736BK sibling—only shorter. The MS736LBK is useful for mic-ing amplifiers or drums, or any other situation where lower height mic positioning is required.

FEATURES

- Vice-Grip Boom Tilter
- Iron-Core Legs with heavy vibration-isolating rubber feet
- Die-Cast Locking Thumb Nut
- Iron-Core Boom Arm with removable heavy counter weight
- Sure-Cast Adjustment Collar
- Latch-Lok Sleeve Insert
- Silent T-Handle
- Detachable Boom Arm (The stand can also be used as a straight stand)
- 3/8" Threaded Connector (5/8-Inch Male to 3/8-Inch Female adapter is also included)

CHARACTER

Ultra versatile, ideally suited for mic-ing amplifiers or drums, or any other situation where lower height mic positioning is required.

SIZE

- Height 440mm – 605mm (17 5/16" – 23 13/16")
- Boom 505mm – 850mm (19 7/8" – 33 7/16")



3/8" Threaded Connector

MS736LBK
LOW PROFILE
TELESCOPING BOOM STAND

PRODUCT INFO.

| Model # | Description | EAN Code | Price |
|----------|-----------------------|---------------|-----------------------|
| MS736LBK | BOOM MIC. STAND SHORT | 4515276889212 | 99,00 € / 2.760,00 Kc |

IRON WORKS MICROPHONE STANDS

STUDIO SERIES

MS736RELBK

ROUND BASE EXTRA LOW PROFILE TELESCOPING BOOM STAND

Another of the flagship Iron Works Studio Series—the MS736RELBK telescoping boom stand is loaded with innovative engineering features that make it the logical go-to stand for efficiency minded professionals. Similar to the MS736LKB tripod-based stand, the MS736RELBK's even weightier round base is the right option for mic-ing bass drums or amplifiers when the safety of your favorite, large-body vintage mic is at stake.

FEATURES

- 280mm – height solid vertical bar
- Vice-Grip Boom Tilter
- Heavy, round cast base with vibration-isolating rubber bottom cushioning
- Die-Cast Locking Thumb Nut
- Iron-Core Boom Arm with removable heavy counter weight
- Silent T-Handle
- 3/8" Threaded Connector (5/8-Inch Male to 3/8-Inch Female adapter is also included)

CHARACTER

Extra Low profile boom stand with firmly anchoring round base for mic-ing bass drums, amplifiers, or any application where lower height is required.

SIZE

- Height 280mm (11 1/32")
- Boom 505mm – 850mm (19 7/8"– 33 7/16")

PRODUCT INFO.

| Model # | Description | EAN Code | Price |
|------------|-----------------|---------------|-----------------------|
| MS736RELBK | BOOM MIC. STAND | 4515276919889 | 99,00 € / 2.760,00 Kc |



3/8" Threaded Connector

MS736RELBK
ROUND BASE EXTRALOW PROFILE
TELESCOPING BOOM STAND

IRON WORKS MICROPHONE STANDS

TOUR SERIES

MS436BK / TELESCOPING BOOM STAND

The Iron Works Tour Series MS436BK telescoping boom stand with tripod legs offers remarkable, innovative features that surpass the status quo in terms of value, performance and usability. The MS436BK provides secure, versatile mic positioning that makes any mic-ing job faster and easier.

FEATURES

- Cast-Grip Boom Tilter
- Die-Cast Locking Thumb Nut
- Iron-Core Boom Arm with removable heavy counter weight
- Sure-Cast Adjustment Collar
- Latch-Lok Sleeve Insert
- Detachable Boom Arm (The stand can also be used as a straight stand)
- 3/8" Threaded Connector (5/8-Inch Male to 3/8-Inch Female adapter is also included)

CHARACTER

The MS436BK is TAMA's standard telescoping boom stand with versatile, solid positioning capabilities that make it ideal for any work environment.

SIZE

- Height 985mm – 1660mm (38 3/4" – 65 3/8")
- Boom 505mm – 845mm (19 7/8" – 33 1/4")



MS436BK
TELESCOPING BOOM STAND

PRODUCT INFO.

| Model # | Description | EAN Code | Price |
|---------|-----------------|---------------|-----------------------|
| MS436BK | BOOM MIC. STAND | 4515276889199 | 69,00 € / 1.930,00 Kc |

IRON WORKS MICROPHONE STANDS

TOUR SERIES

MS436LBK / LOW PROFILE TELESCOPING BOOM STAND

The Iron Works Tour Series MS436LBK low profile telescoping boom stand with tripod legs boasts the same innovations and solid construction characteristics of its taller sibling, the MS436LBK—and easily surpasses anything in its class in terms of value, performance and durability.

FEATURES

- Cast-Grip Boom Tilter
- Die-Cast Locking Thumb Nut
- Iron-Core Boom Arm with removable heavy counter weight
- Sure-Cast Adjustment Collar
- Latch-Lok Sleeve Insert
- Detachable Boom Arm (The stand can also be used as a straight stand)
- 3/8" Threaded Connector (5/8-Inch Male to 3/8-Inch Female adapter is also included)



3/8" Threaded Connector

CHARACTER

TAMA's rough and ready "standard" boom stand—ideal for mic-ing drums or amplifiers, or in any situation where lower height mic positioning is needed.

SIZE

- Height 440mm – 605mm (17 5/16" – 23 13/16")
- Boom 505mm – 845mm (19 7/8" – 33 1/4")

MS436LBK
LOW PROFILE
TELESCOPING BOOM STAND

PRODUCT INFO.

| Model # | Description | EAN Code | Price |
|----------|-----------------------|---------------|-----------------------|
| MS436LBK | BOOM MIC. STAND SHORT | 4515276919872 | 69,00 € / 1.930,00 Kc |

IMPERIALSTAR

UPGRADED WITH SUPERIOR LOOK & NEW STAGE MASTER HARDWARE

With nearly 40 years of drum building experience, TAMA knows what drummers really want. With this in mind, we designed the award-winning Imperialstar line as an affordable, yet durable kit that contains many of the high-end features you'll find in our upper lines.

For 2017, Imperialstar has been further upgraded with the New Stage Master hardware, delivering functionality, stability and durability you won't find anywhere else in this price range.



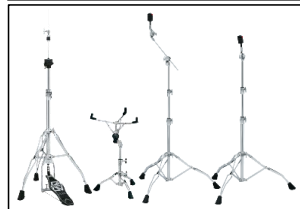
IP62H6N-BBOB

FEATURES



Black Nickel Shell Hardware Available

Black Nickel hardware is now available for the Imperialstar line, opening up a broader selection of finishes in this price range. Blacked Out Black, Vintage Red and Sugar White finishes all come standard with Black Nickel hardware, while other available finishes come with Chrome hardware.



New Stage Master Hardware

In addition to the highly acclaimed Iron Cobra 200 bass drum pedal, Imperialstar kits have been upgraded with the New Stage Master hardware. These stands provide functionality, stability, and durability, all at an affordable price.

IMPERIALSTAR

UPGRADED WITH SUPERIOR LOOK & NEW STAGE MASTER HARDWARE

SHELL & HARDWARE FINISHES

Black Nickel Shell Hardware



Blacked Out Black (BBOB)



Sugar White (BSGW)



Vintage Red (BVTR)

Chrome Shell Hardware



Champagne Mist (CHM)



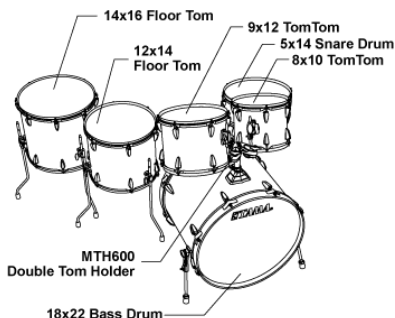
Midnight Blue (MNB)



Hairline Black (HBK)

NEW CONFIGURATION

IP62H6N
IP62H5N
IP62H4N



PRODUCT INFO.

| Model # | Description | Price |
|----------|--|-------------------------|
| IP52KH6N | 5pc 22" Bass Drum Kit w/6pc hardware kit and Meinl Cymbals MCS 14"/16"/18" | 799,00 € / 22.290,00 Kc |
| IP62H6N | 6pc 22" Bass Drum Kit w/6pc hardware kit and Meinl Cymbals MCS 14"/16"/18" | 899,00 € / 25.080,00 Kc |
| IP50H6N | 5pc 20" Bass Drum Kit w/6pc hardware kit and Meinl Cymbals MCS 14"/16"/18" | 799,00 € / 22.290,00 Kc |
| IP58H4N | 5pc 18" Bass Drum Kit w/6pc hardware kit and Meinl Cymbals MCS 14"/18" | 749,00 € / 20.900,00 Kc |

* 5pc & 4pc hardware kits are also available.

* Meinl HCS cymbal option is available only for 6pc hardware kit

STAND WEIGHT

EXTRA STABILITY FOR EXTRA ASSURANCE

TAMA hardware is highly regarded for its quality and stability. But sometimes you need a little extra stability – either for extremely hard hitting, or if the playing surface is uneven. To meet that need, we developed the TAMA Stand Weight. By simply looping this weight around the tripod base of a stand, you can firmly stabilize the stand to any playing surface. Its hook-and-loop fastener makes setup quick and easy. And these weights can also be used inside of the bass drum, for a more controlled and tighter kick drum sound.



TSW10



FEATURES

- Stabilize your hardware, regardless of the playing surface
- Easy setup with hook-and-loop fasteners on both sides
- Also usable as a bass drum mute
- Equipped on both sides with a convenient hook- and- loop fastener

PRODUCT INFO.

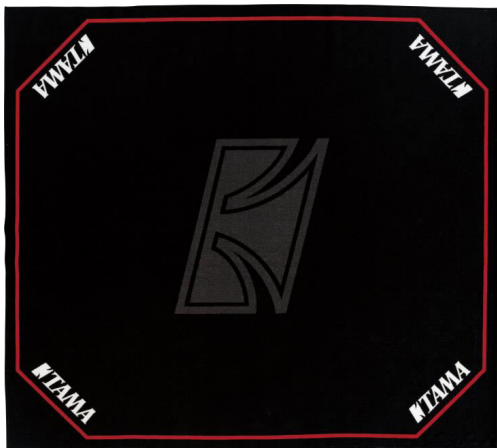
| Model # | Description | EAN Code | Price |
|---------|--------------|---------------|-----------------------|
| TSW10 | Stand Weight | 4515276923329 | 39,00 € / 1.090,00 Kc |

DRUM RUG

FEATURING 2 SPECIAL DESIGNS

The new TAMA Drum Rug (TDR-TL) features a large TAMA logo on the surface, and a non-slip rubber bottom, for better stability while playing. With dimensions of 1800mm x 2000mm (72" x 80"), this drum rug offers enough space to set-up large drum kits with plenty hardware. Equipped with a hook-and-loop fastener belt for easy breakdown and transport.

TAMA Drum Rug (TDR-OR) features an oriental inspired design with various types of TAMA icons. It features a non-slip rubber bottom, for the better stability while playing. Slightly bigger at 1800mm x 2000mm (72" x 80"), this drum rug offers enough space to set-up large drum kits and hardware. Equipped with a hook-and-loop fastener belt for easy transportation.


TDR-TL

TDR-OR


PRODUCT INFO.

| Model # | Description | EAN Code | Price |
|---------|-----------------------------|---------------|------------------------|
| TDR-TL | Drum Rug (TAMA Logo Design) | 4515276966920 | 129,00 € / 3.600,00 Kc |
| TDR-OR | Drum Rug (Oriental Design) | 4515276966913 | 129,00 € / 3.600,00 Kc |

PACKAGE OF TAMA ACCESSORIES / PARTS UPDATED

BLISTER PACKAGE WITH UNIFIED DESIGN

Popular TAMA accessories and parts come with blister package featuring updated design for better appearance at store front. Unified design package helps enhance the presence of TAMA brand in drum accessories & parts business.



PRODUCT INFO.

| Model # | Description | EAN Code | Price |
|----------|--|---------------|---------------------|
| DH7 | Drum Hammer | 4515276010029 | 7,90 € / 220,00 Kc |
| TDK10 | Drum Key | 4515276229315 | 4,90 € / 140,00 Kc |
| TDK10BN | Drum Key (Black Nickel) | 4515110786622 | 5,90 € / 160,00 Kc |
| 7081P | Felt Washer (2pcs / set) | 4515276108771 | 2,90 € / 80,00 Kc |
| RTF35P | Felt Washer (2pcs/ set) | 4515276759546 | 9,90 € / 280,00 Kc |
| CL08 | Hi-hat Clutch | 4515276015871 | 14,90 € / 420,00 Kc |
| CM8P | Cymbal Mate (M8,2pcs / set) | 4515276024767 | 2,90 € / 80,00 Kc |
| QC8-B4 | Cymbal Mate QC8 (4pcs / set) | 4515110751446 | 14,90 € / 420,00 Kc |
| RB8P | Cymbal Bottom (2pcs / set) | 4515276024774 | 2,90 € / 80,00 Kc |
| WN8P | Wing Nut (M8, 2pcs/ set) | 4515276108740 | 4,90 € / 140,00 Kc |
| ML11 | Memory Lock for MTB25 (Hinge Type) | 4515276229209 | 6,90 € / 190,00 Kc |
| ML12 | Memory Lock (Hinge Type for 10.5mm-12mm) | 4515276209003 | 6,90 € / 190,00 Kc |
| ML191C | Memory Lock (19.1mm DIA) | 4515276759829 | 9,90 € / 280,00 Kc |
| ML191N | Memory Lock (Hinge Type for 19.1mm) | 4515276209010 | 4,90 € / 140,00 Kc |
| ML222C | Memory Lock (22.2mm DIA.) | 4515276759836 | 9,90 € / 280,00 Kc |
| ML222NT | Memory Lock for Throne 22.2mm | 4515276388432 | 4,90 € / 140,00 Kc |
| ML254N | Memory Lock (for 25.4mm) | 4515276147541 | 4,90 € / 140,00 Kc |
| ML254TC | Memory Lock | 4515276377283 | 4,90 € / 140,00 Kc |
| ML28C | Memory Lock (28.6mm DIA.) | 4515276759843 | 11,90 € / 330,00 Kc |
| HP900-7H | Spring (heavy) | 4515276020981 | 3,90 € / 110,00 Kc |
| HP900-7R | Spring only | 4515276013532 | 3,90 € / 110,00 Kc |
| HP910-7S | SUPER Spring only | 4515110703056 | 3,90 € / 110,00 Kc |
| SRW620P | Hold Tight Washer (20pcs/set) | 4515276231356 | 9,90 € / 280,00 Kc |
| CB90RH | Beater Head (Rubber) | 4515276013518 | 16,90 € / 470,00 Kc |
| CB90WH | Beater Head (Wood) | 4515276013525 | 16,90 € / 470,00 Kc |
| CB90FH | Beater Head (Felt) | 4515276013501 | 16,90 € / 470,00 Kc |
| PB90FH | Beater Head (Felt) | 4515110703049 | 16,90 € / 470,00 Kc |

STAR BUBINGA EXOTIX

FEATURING AUSTRALIAN BLACKWOOD

Limited STAR Bubinga Exotix drums feature 4.5mm shells, and 9mm sound focus rings made up of one outer ply of Figured Blackwood and one inner ply of Cordia. The wild, yet beautiful natural figured Blackwood grain with the STAR Bubinga shell offers a timeless appearance and are an absolute joy to play. The drums are only available as a pre-configured 5pc kit. A matching snare drum is also available separately.



TB52RZSS-KNFB (Natural Figured Blackwood)



Blackwood Outer Ply



PRODUCT INFO.

| Model # | Description | EAN Code | Price |
|---------------|---|---------------|----------------------------|
| TB52RZSS-KNFB | Drum Shell Kit – 16"x22" BD, 16"x16" FT, 14"x14" FT, 8"x12" TT, 7"x10" TT | 4515276967842 | 6.199,00 € / 172.950,00 Kc |

LARS ULRICH SIGNATURE SNARE DRUM BLACK LIMITED EDITION

6.5" X 14" 3mm BLACK DIAMOND PLATE STEEL SHELL

In dark contrast to drumming superstar Lars Ulrich's regular signature snare drum, this Limited Edition version features a striking black on black finish... combining a Matte Black shell with Gloss Black plated hardware, and a specially designed REMO Black Suede drumhead with black Metallica logo. The newly designed badge shines against the black shell, and Lars personally signed each drumhead, making these exclusive snare drums even more special.

The snare is extremely loud and powerful to cut through Metallica's wall of sound. Lars will be playing this snare on Metallica's worldwide touring in 2017 in support of their new album. Only 125 pcs will be produced worldwide.



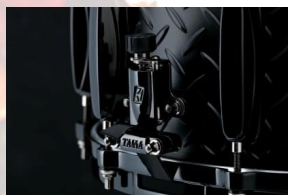
LU1465BK



Drum head with Metallica logo and Lars's autograph



Matte Black shell finish and the newly designed badge



Gloss Black Plated hardware

* In the actual package, a batter head without the autograph is equipped on the snare, and the signed head is enclosed separately.

PRODUCT INFO.

| | |
|----------------------|---|
| Model # | LU1465BK |
| Size | 6.5" x 14" |
| Shell | 3mm Black Diamond Plate Steel |
| Lug | MSL36 *Gloss Black Plating Finish |
| Hoop | Die-Cast Hoop (10 Holes) *Gloss Black Plating Finish |
| Head | REMO Ambassador Black Suede with Metallica's logo / Ambassador Clear Snare Side / Extra Ambassador Black Suede head with Metallica's logo and Lars Ulrich's hand signed autograph |
| Strainer/Butt | MUS80A / MUS80 *Gloss Black Plating Finish |
| Snare Wire | MS20SN14S |
| Finish | Matte Black Finish |
| EAN Code | 4515276982739 |
| Price | 739,00 € / 20.620,00 Kc |

AFFORDABLE ALL BIRCH SHELL SNARE DRUM

8" EXTRA DEEP SNARE DRUM IN GALAXY SILVER SPARKLE

Birch Shell is recognized as its fat tone and clear attack. Limited edition 8" x 14" Birch Standard Snare Drum features deep and bold sounds with affordable price.



RS148-GXS

PRODUCT INFO.

| | |
|----------------------|---|
| Model # | RS148 |
| Size | 8" x 14" |
| Shell | 6ply All Birch, 6mm |
| Lug | MSL35 |
| Hoop | Triple Flanged Hoop (8 Hole) |
| Head | TAMA Power Craft Coated Batter / Clear Snare Side |
| Strainer/Butt | MCS70A / MCS70B |
| Snare Wire | MS20R14S |
| Finish | Galaxy Silver Sparkle (GXS) |
| EAN Code | 4515276897095 |
| Price | 119,00 € / 3.320,00 Kc |